

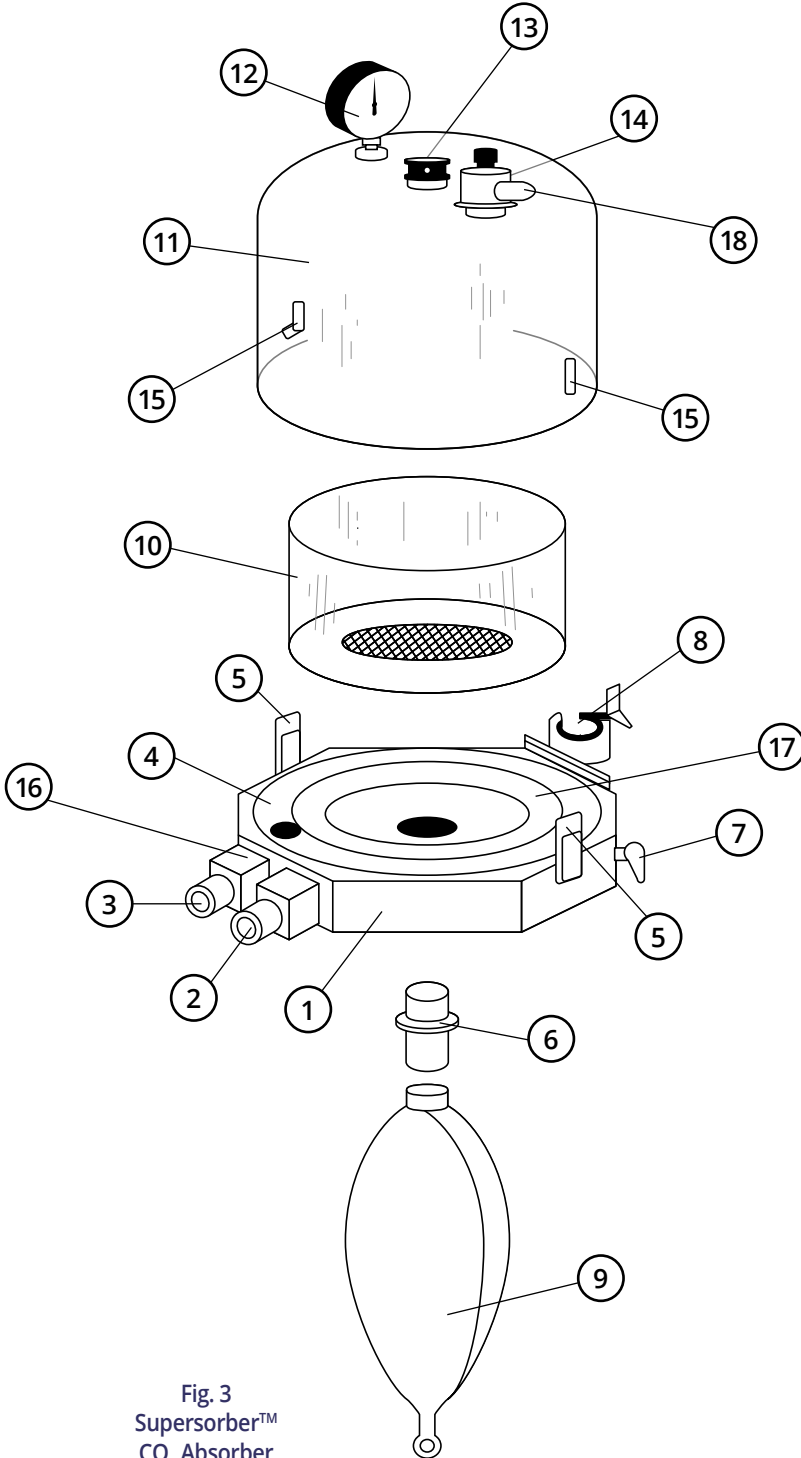


800.795.3062
ambickford.com
sales@ambickford.com

AMBICKFORD
SINCE 1974 • SAME NAME • SAME COMPANY inc.

SUPERSORBER™

NOMENCLATURE



1. **60015** Base
2. **60004** Inhalation valve
3. **60004B** Exhalation valve
4. **60007** Gasket assembly
5. **60008** Toggle clamp
6. **60031** Bag adapter
7. **60053** Fresh gas supply connection
8. **60051** Mounting clamp
9. Breathing Bag (available in various sizes)
10. **60002** Soda lime canister (refillable)
11. **60001** Dome housing
12. **60010** Pressure guage Pos./Neg.
13. **60011** Air inlet -
Negative pressure relief valve
14. **80005** Pop-off valve -
Positive pressure relief valve
15. **60008B** Hook-toggle clamp (2)
16. **60009** Glass sleeve (2)
17. **60017** Basket Gasket
18. **80005H** Pop-off valve housing

Fig. 3
Supersorber™
CO₂ Absorber
Nomenclature